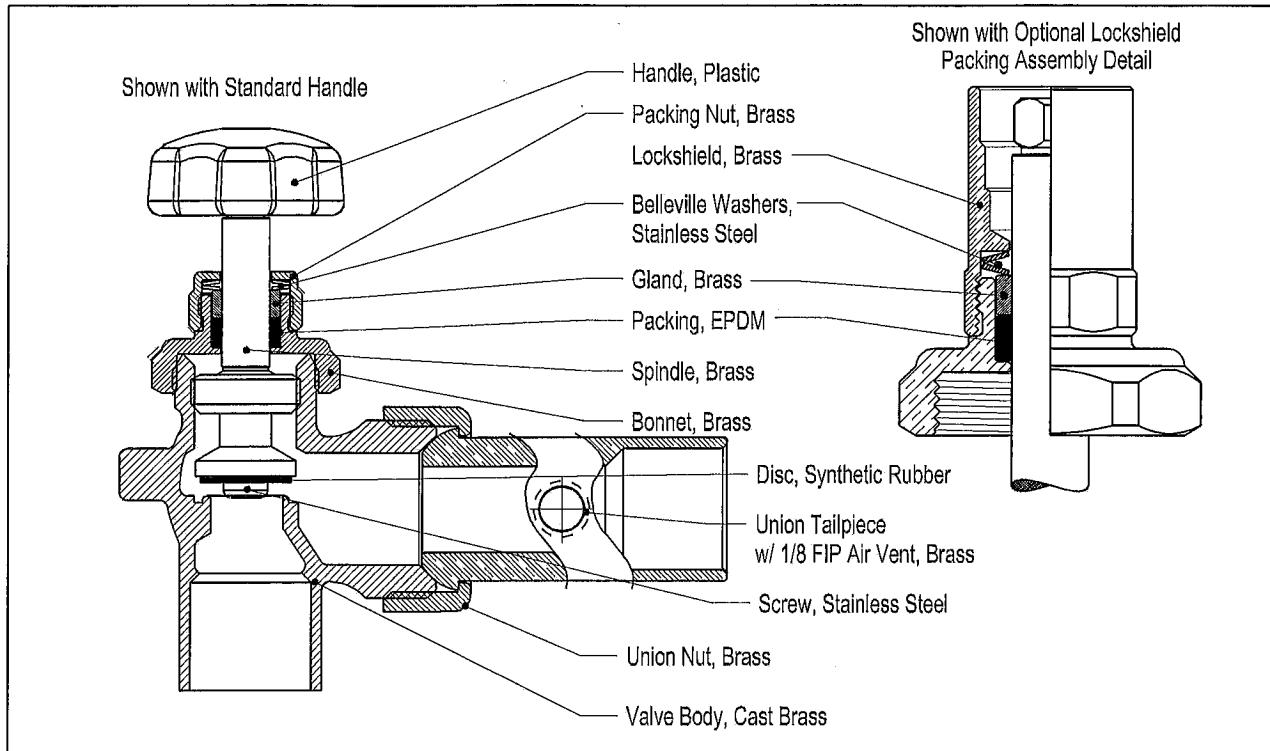


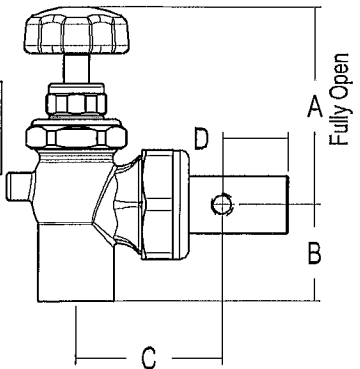
# Dahl Brass Radiator Valves Regular Pattern - Angle

For Forced Heating or Cooling Systems



- Available with lockshield to prevent tampering
- Replaceable disc
- Self-adjusting, spring-loaded packing system
- Working pressure/temperature: 200 psi / 250°F
- Low friction packing
- Designed and manufactured in Canada

Size (Inlet x Outlet)	Part Number	A <sub>Handle</sub>	A <sub>Lockshield</sub>	B	C	D
3/4C x 3/4C Union w/Air Vent	110066122	2-3/4"	2-1/4"	1-3/8"	2"	1-1/4"



dahl brothers canada limited

2600 S. SHERIDAN WAY, MISSISSAUGA, ON, CANADA L5J 2M4  
 905-822-2330 CAN 800-268-5355 U.S. 800-268-2363  
 FAX(905) 855-1450, USA AND CANADA 800-226-1801  
 www.sales@dahlvalve.com www.dahlvalve.com

We reserve the right to alter prices and/or technical details without notice