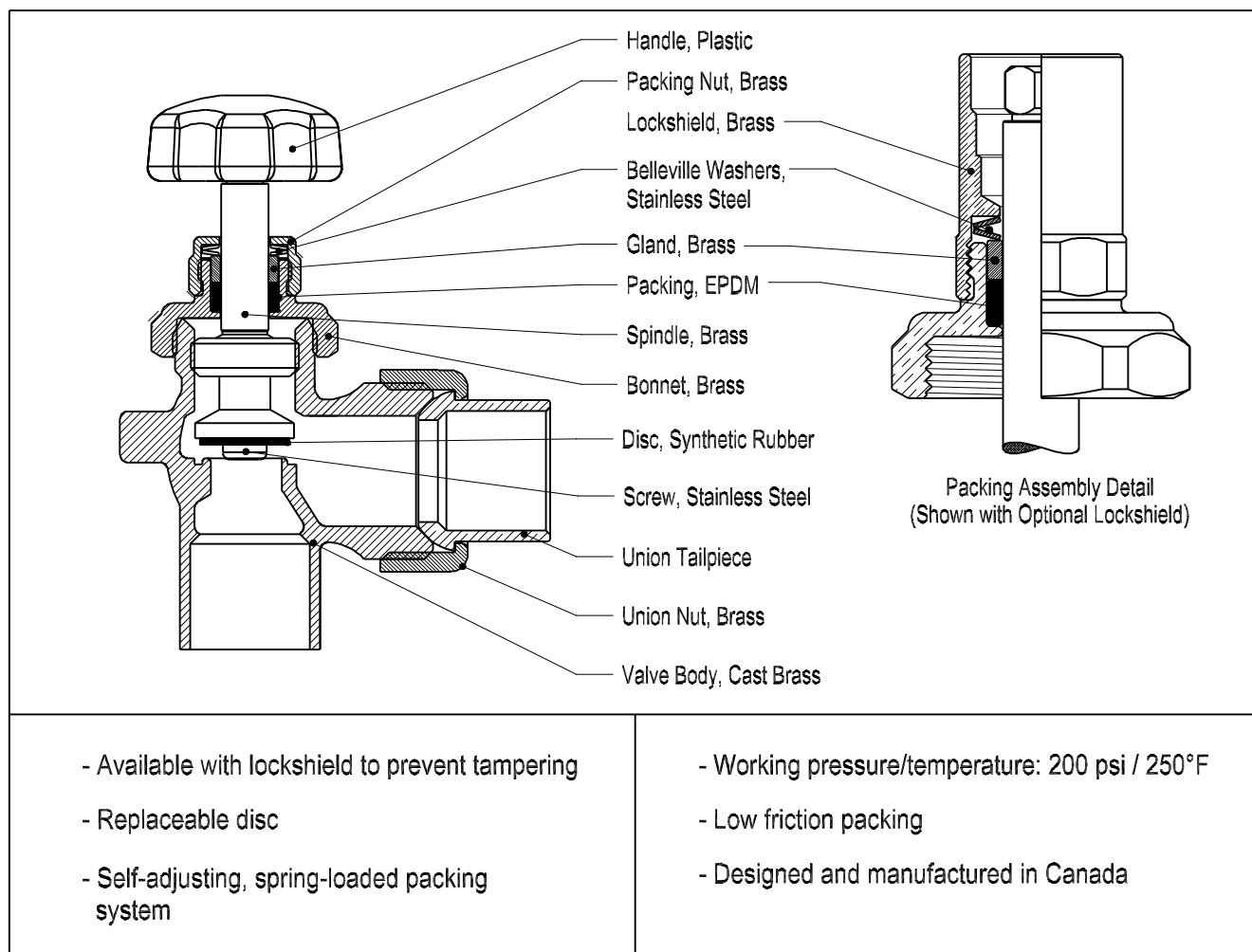
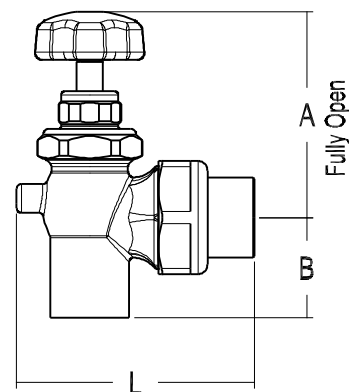


Dahl Brass Radiator Valves Regular Pattern - Angle

For Forced Heating or Cooling Systems



Size (Inlet x Outlet)	Part Number	A _{Handle}	A _{Lockshield}	B	L
1/2C x 1/2C Union	110064101	2-5/8"	2-1/8"	1-1/4"	2-1/2"
3/4C x 3/4C Union	110066105	2-3/4"	2-1/4"	1-1/4"	3"



dahl brothers canada limited

2600 S. SHERIDAN WAY, MISSISSAUGA, ON, CANADA L5J 2M4
 905-822-2330 CAN 800-268-5355 U.S. 800-268-2363
 FAX(905) 855-1450, USA AND CANADA 800-226-1801
 www.sales@dahlvalve.com www.dahlvalve.com

We reserve the right to alter prices and/or technical details without notice