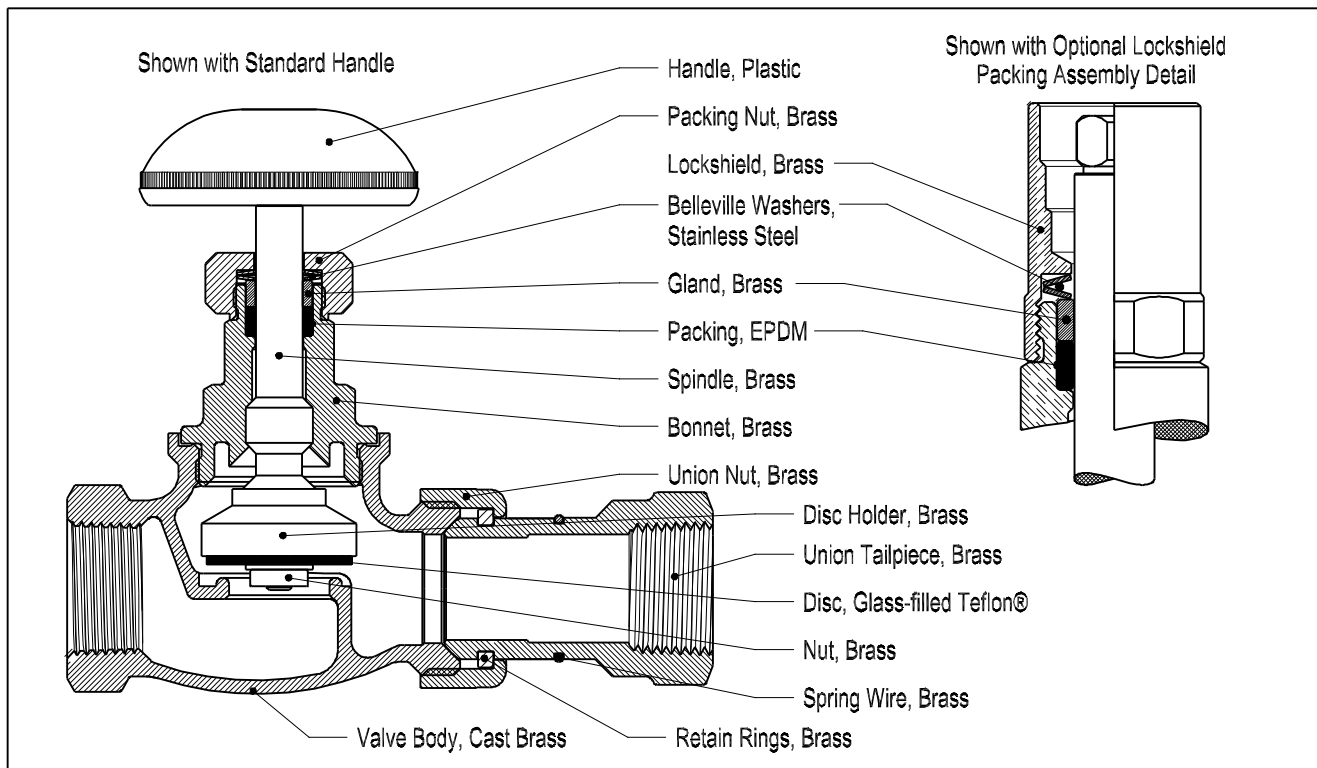


# Dahl Brass Radiator Valves Heavy Pattern - Straight

TDS-1043  
Rev Jan/11

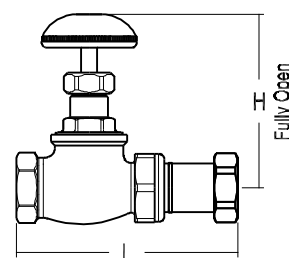
For Steam, Forced Heating or Cooling Systems



- Self-adjusting, spring loaded packing system
- Low friction packing
- Working pressure/temperature: 250 psi / 250°F
- Swivel-type disc holder minimizes wear
- Replaceable disc
- With Hi-Temp trim for low pressure steam applications (150 WSP / 300 W)
- Designed and manufactured in Canada

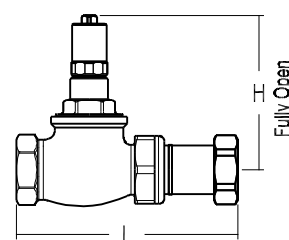
## With Standard Handle

11042	Size (Inlet x Outlet)	Part Number	C <sub>V</sub> (USGPM)	H <sub>Handle</sub>	H <sub>Lockshield</sub>	L
	1/2F x 1/2F Union	110424118	4.7	3-3/4"	3"	4-1/2"
	3/4F x 3/4F Union	110426107	8.2	3-3/4"	3-1/8"	4-3/4"



## With Tamper Resistant Lockshield

11042-LS	Size (Inlet x Outlet)	Part Number	C <sub>V</sub> (USGPM)	H <sub>Handle</sub>	H <sub>Lockshield</sub>	L
	1/2F x 1/2F Union	1104241184	4.7	3-1/2"	3"	4-1/2"
	3/4F x 3/4F Union	1104261074	8.2	3-1/2"	3-1/8"	4-3/4"



dahl brothers canada limited

2600 S. SHERIDAN WAY, MISSISSAUGA, ON, CANADA L5J 2M4  
 905-822-2330 CAN 800-268-5355 U.S. 800-268-2363  
 FAX(905) 855-1450, USA AND CANADA 800-226-1801  
 www.sales@dahlvalve.com www.dahlvalve.com

We reserve the right to alter prices and/or technical details without notice