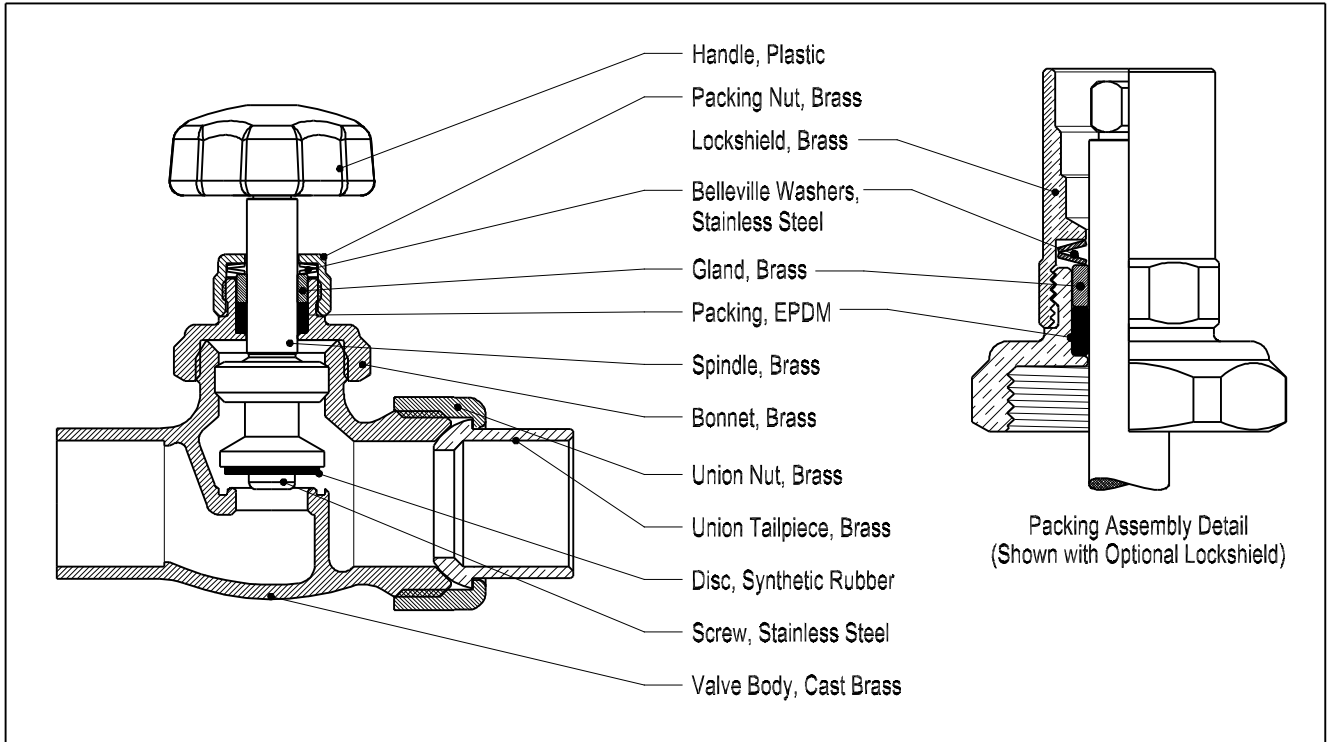


Dahl Brass Radiator Valves Regular Pattern - Straight

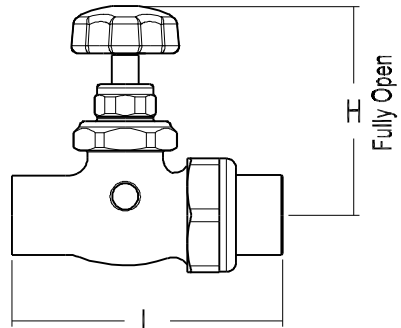
TDS-1038
New Mar/10

For Forced Heating or Cooling Systems



- Available with lockshield to prevent tampering
- Replaceable disc
- Self-adjusting, spring loaded packing system
- Working pressure/temperature: 200 psi / 250°F
- Low friction packing
- Designed and manufactured in Canada

Size (Inlet x Outlet)	Part Number	C _v (USGPM)	H _{Handle}	H _{Lockshield}	L
3/4C x 3/4C Union	110266105	4.9	3"	2-1/2"	3-5/8"



dahl brothers canada limited
 2600 S. SHERIDAN WAY, MISSISSAUGA, ON, CANADA L5J 2M4
 905-822-2330 CAN 800-268-5355 U.S. 800-268-2363
 FAX(905) 855-1450, USA AND CANADA 800-226-1801
 www.sales@dahlvalve.com www.dahlvalve.com
 We reserve the right to alter prices and/or technical details without notice