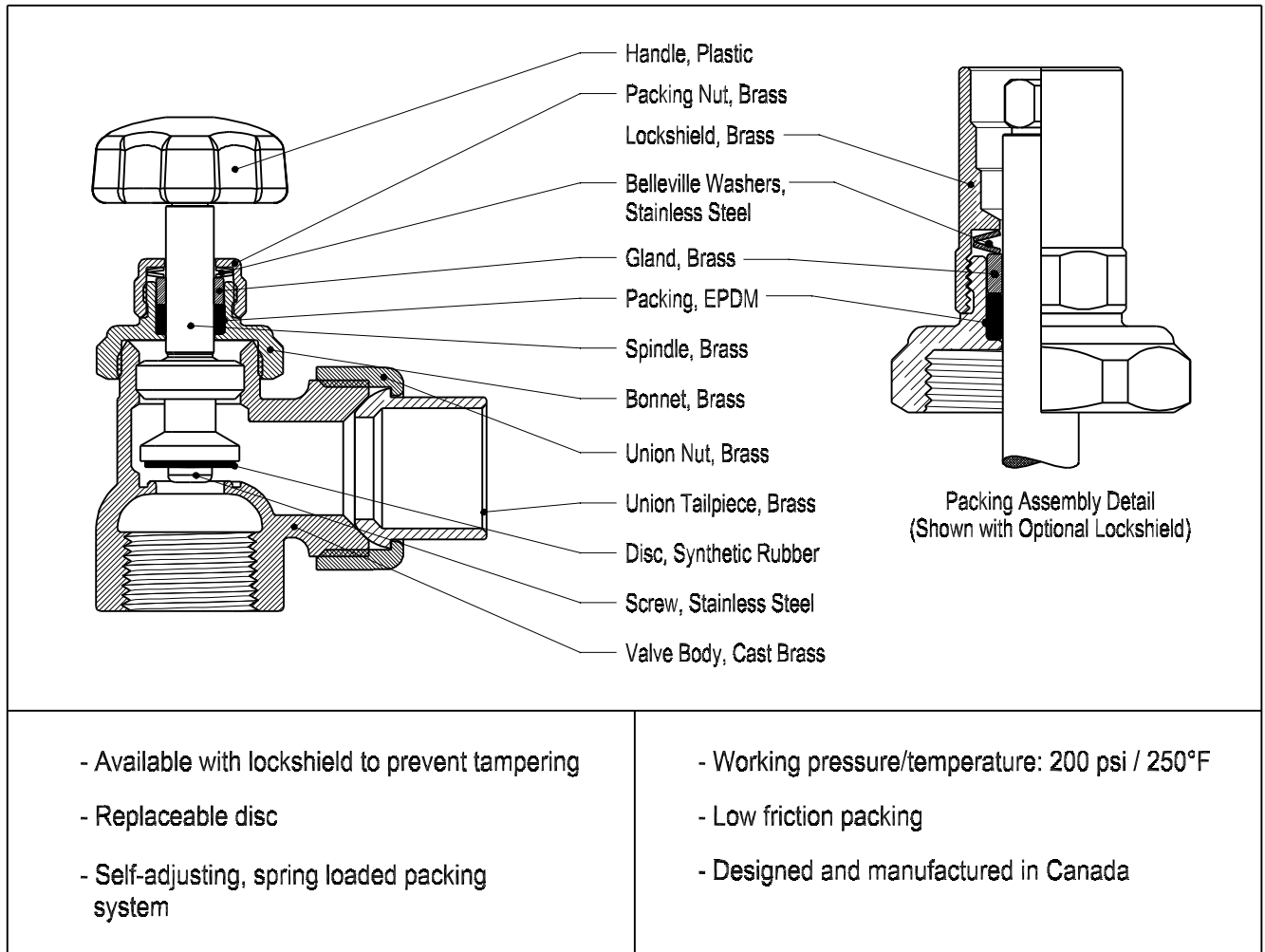


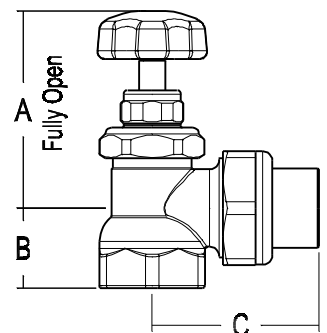
Dahl Brass Radiator Valves Regular Pattern - Angle

TDS-1019
New Sept/08

For Forced Heating or Cooling Systems



| Size (Inlet x Outlet) | Part Number | C _v (USGPM) | A _{Handle} | A _{Lockshield} | B | C |
|-----------------------|-------------|------------------------|---------------------|-------------------------|------|--------|
| 1/2F x 1/2C Union | 110214101 | 2.5 | 2-1/2" | 2" | 7/8" | 1-3/4" |
| 3/4F x 3/4C Union | 110216105 | 5.5 | 2-3/4" | 2-1/4" | 1" | 2-1/4" |



dahl brothers canada limited

2600 SOUTH SHERIDAN WAY, MISSISSAUGA, ON, CANADA L5J 2M4
905-822-2330 CAN 800-268-5355 U.S. 800-268-2363
FAX(905) 855-1450, USA AND CANADA 800-226-1801

We reserve the right to alter prices and/or technical details without notice