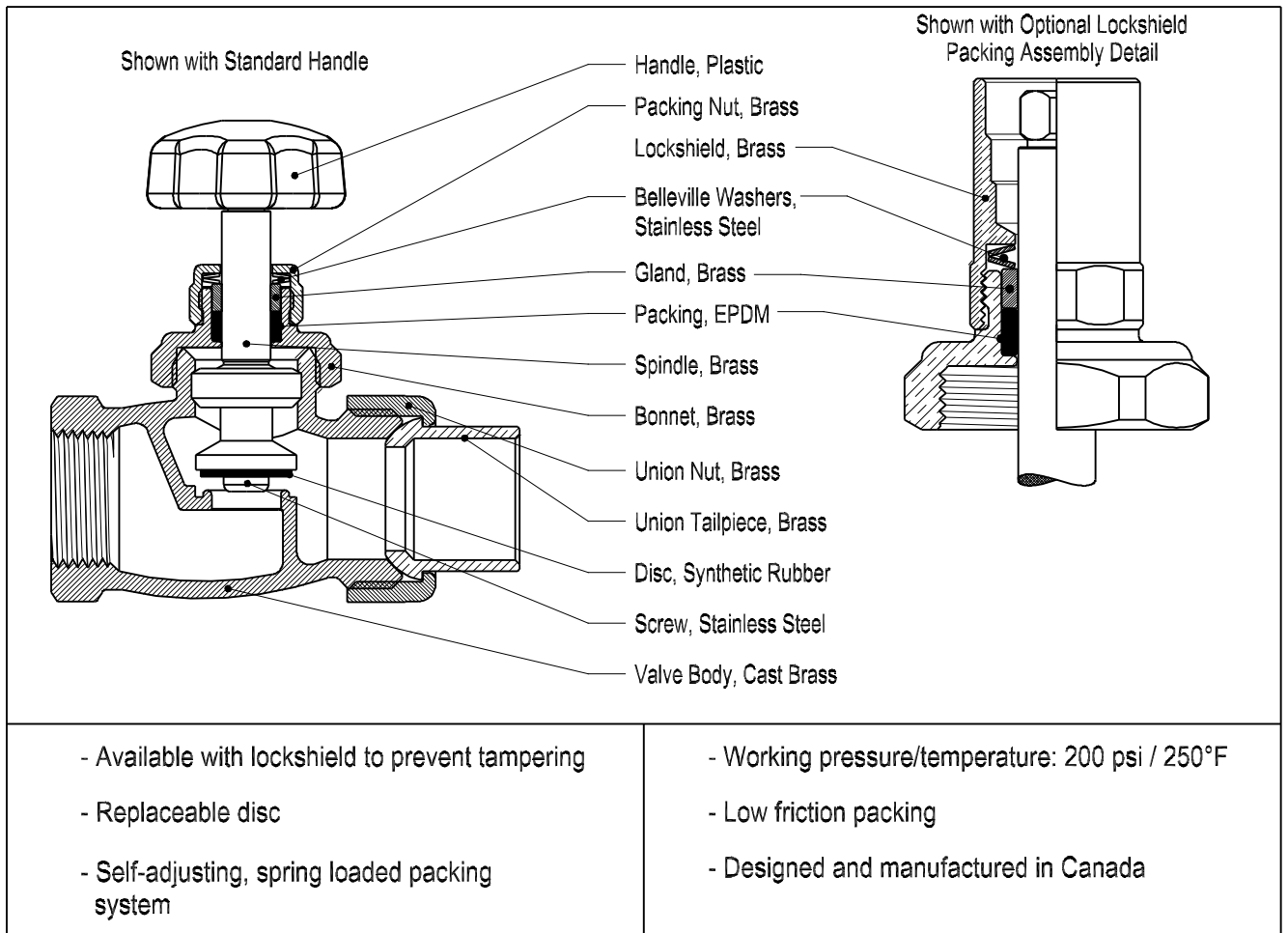


# Dahl Brass Radiator Valves Regular Pattern - Straight

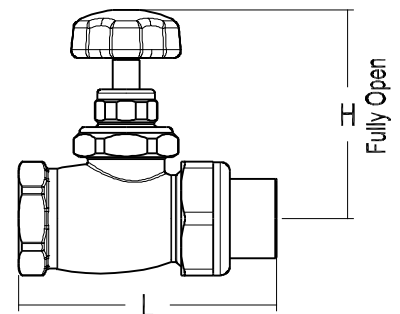
TDS-1018  
Rev June/12

For Forced Heating or Cooling Systems



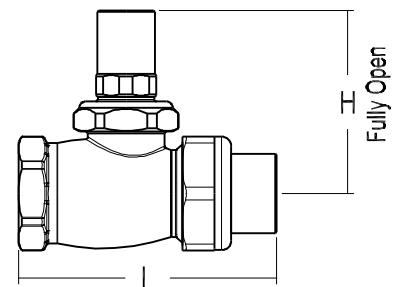
## With Standard Handle

11022	Size (Inlet x Outlet)	Part Number	C <sub>v</sub> (USGPM)	H <sub>Handle</sub>	L
	1/2F x 1/2C Union	110224101	2.4	2-5/8"	2-3/4"
	3/4F x 3/4C Union	110226105	4.9	3"	3-1/2"



## With Tamper Resistant Lockshield

11022-LS	Size (Inlet x Outlet)	Part Number	C <sub>v</sub> (USGPM)	H <sub>Lockshield</sub>	L
	1/2F x 1/2C Union	1102241014	2.4	2-1/8"	2-3/4"
	3/4F x 3/4C Union	1102261054	4.9	2-1/2"	3-1/2"



dahl brothers canada limited

2600 S. SHERIDAN WAY, MISSISSAUGA, ON, CANADA L5J 2M4  
905-822-2330 CAN 800-268-5355 U.S. 800-268-2363

FAX(905) 855-1450, USA AND CANADA 800-226-1801

www.sales@dahlvalve.com www.dahlvalve.com

We reserve the right to alter prices and/or technical details without notice