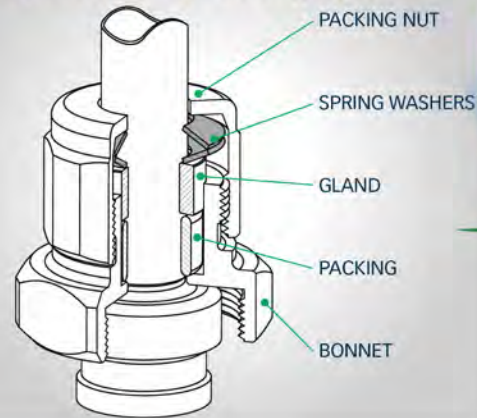


dahl

Globe Style Compression Stop



Self-Adjusting Packing System



**Lifetime
Warranty**



Prevent frozen pipes by winterizing with a globe style compression stop with drain!

dahl Part #	Description	Box/Master
-------------	-------------	------------

E2312-44

1/2 Female Copper Solder x 1/2 Female Copper Solder, with Waste

12/72

BENEFITS

- For potable water plumbing systems
- No need to disassemble before soldering
- Maintenance-free - Unique spring-loaded self-adjusting packing system
- Working pressure 200 PSI/250° F
- Meets IAPMO, CSA and ASME flow requirements

dahl

dahl Valve Limited
2600 South Sheridan Way,
Mississauga, ON, Canada L5J 2M4

CAN TOLL FREE 1800 268 5355
U.S. TOLL FREE 1800 268 2363
E MAIL sales@dahlvalve.com


Made in North America

